

# PRO1300

## ASSEMBLY & FITTING INSTRUCTIONS



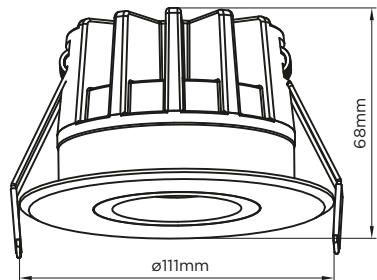
### 13W D-Lux PRO1300 Downlight

**Please read these instructions carefully before attempting to install this downlight.**

It is advisable to keep these instructions in a safe place for future reference. If this downlight is installed by a contractor, the contractor should ensure that the customer has a copy of these instructions.

#### Specification

<b>Voltage:</b>	230V AC
<b>Lampless:</b>	COB 13W LED
<b>Lumens:</b>	1300lm
<b>Colour Temperature:</b>	3000K
<b>Cut Out:</b>	90mm
<b>Minimum Void:</b>	80mm
<b>Bezel Finish:</b>	White, Chrome or Brushed Aluminium
<b>Weather Resistance:</b>	IP65
<b>Electrical Safety:</b>	BSEN60598 (Relevant clauses)
<b>Fire Rating:</b>	Suitable for 30 and 60 minute ceilings
<b>Fitting Class:</b>	III
<b>Dimmable:</b>	Optional (For best compatability use Green Lighting Rotary Dimmer or Reality® Lighting Control)



## Insulation Support Strap (Optional)

---

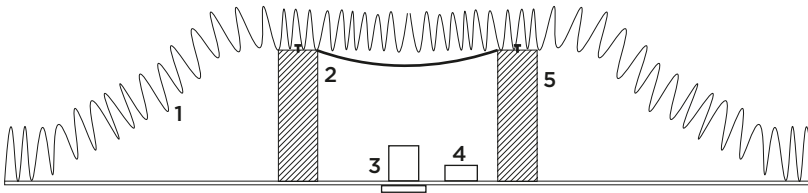
The insulation support strap is designed to protect electrical components within a ceiling space from direct contact with insulation, forming a natural air space without breaking the continuity of insulation.

An Insulation Support Strap (ISS) is supplied with each downlight.

- Simply fix one end of the strap through the end eyelet to the top of the joist in the proximity of the fitting, then pull the strap over to the adjacent joist and fix using the appropriate eyelet.
- There are three eyelets provided on the strap which will accommodate 450mm or 600mm joist centres.

The Insulation Support Strap is now fitted and forms a barrier. The insulation can now be laid continuously in the ceiling space. This creates a natural void that will allow electrical and electronic components to operate without any overheating.

This Insulation Support Strap should only be used in conjunction with downlights accredited by a UKAS test facility.



### Key

- |   |                          |
|---|--------------------------|
| 1 | Insulation               |
| 2 | Insulation Support Strap |
| 3 | Downlight                |
| 4 | Driver                   |
| 5 | Joist                    |
| T | Nails                    |

## Installation

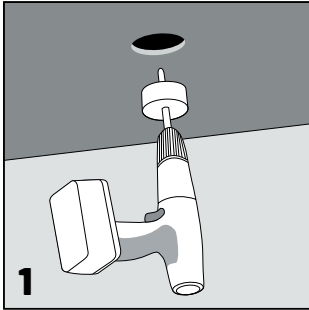
It is recommended that luminaires are installed and fitted by a qualified electrician ensuring the installation complies with the current IET wiring regulations BS7671:2008.

This product is designed for connection to a 230 Volt supply.

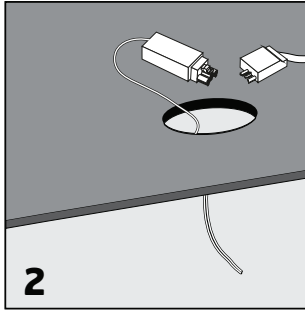
All electronic drivers are double insulated.

**PLEASE ENSURE THESE INSTRUCTIONS ARE READ THOROUGHLY BEFORE INSTALLATION AND A COPY IS AVAILABLE FOR FUTURE REFERENCE.**

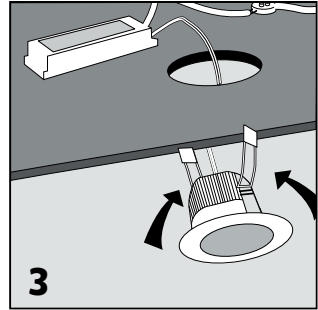
**ENSURE THE MAINS IS SWITCHED OFF BEFORE INSTALLATION.**



1 Cut a 70mm hole.



2 Connect the LED driver, with screwless mains connector supplied, to 230V AC and place in ceiling space leaving the push-on connector accessible.



3 Connect the downlight to the push-on driver connection, pull and hold the springs backwards and offer to the hole, release the springs.

We recommend that a sample hole be cut in some scrap material to familiarise yourself with the installation. Once you are completely satisfied:

Locate the areas suitable for installing these luminaires.

Cut a suitable hole in the ceiling and ensure there is a sufficient ceiling void without infringing on joists, water pipes or electrical cables.

**Luminaire suitable for 30 min & 60 min Fire Rated timber ceiling and suspended ceilings.**

## This appliance is Class III

---

- Ensure that there is an adequate free air flow around the fitting.
- Do not install this product into a wet plaster or damp areas.
- Fit this product as illustrated.
- Minimum ceiling void depth for this fitting is 80mm
- Cut out size required for this fitting is 90mm

To meet “Part C” of the building regulation and provide sufficient air-tightness to avoid condensation forming in cold unvented roof spaces a seal is fitted in front of the bezel ring. This luminaire is suitable for installations where vapour permeable membranes are installed.

This luminaire is suitable for mounting on a normally flammable surface e.g. a wooden ceiling or a material based on wood.

This luminaire is rated IP65 from the front and IP20 from behind.

When your light comes to the end of its life or you have chosen to change it, please do not dispose of it with your normal house hold waste or by using a local amenity tip. (WEEE Directive effective July 2012).

The light source of this luminaire is not replaceable; when the light source reaches its end of life the whole luminaire shall be replaced.

Should you experience any difficulty when installing this product, please call the

**Green Lighting Helpline on 01905 610200**

during normal office hours 8:30am to 4:30pm, Monday to Friday.

Please note that his equipment and its components have NO user serviceable parts.

Green Lighting tries to improve its products for the benefit of its customers. For this reason we reserve the right to make any changes to any product at any time, without notice.

Green Lighting Instructions 13W D-Lux LED PRO1300 Downlight  
Recognised by the NHBC and LABC. Patent number 2456812.